

SECTION I

Instructions to Offerors -- Amendment of Solicitation. The following instructions apply unless specified otherwise in an AAFES letter accompanying this amendment.

a. Offerors must acknowledge receipt of this amendment prior to the hour and date specified for receipt of proposals in the original solicitation, or the hour and date specified in this amendment if such has been amended. Offeror must acknowledge by one of the following means:

- (1) By signing and returning all except one copy of this amendment.
- (2) By acknowledging receipt of this amendment on each copy of the proposal submitted;
- (3) By separate letter or telegram which includes a reference to the solicitation and amendment number.

b. Proposals must be based upon and refer to the solicitation as amended. Unless an acknowledgment of this amendment is received by the contracting officer before the hour and date specified for receipt of proposals, offeror's proposal may be considered nonresponsive.

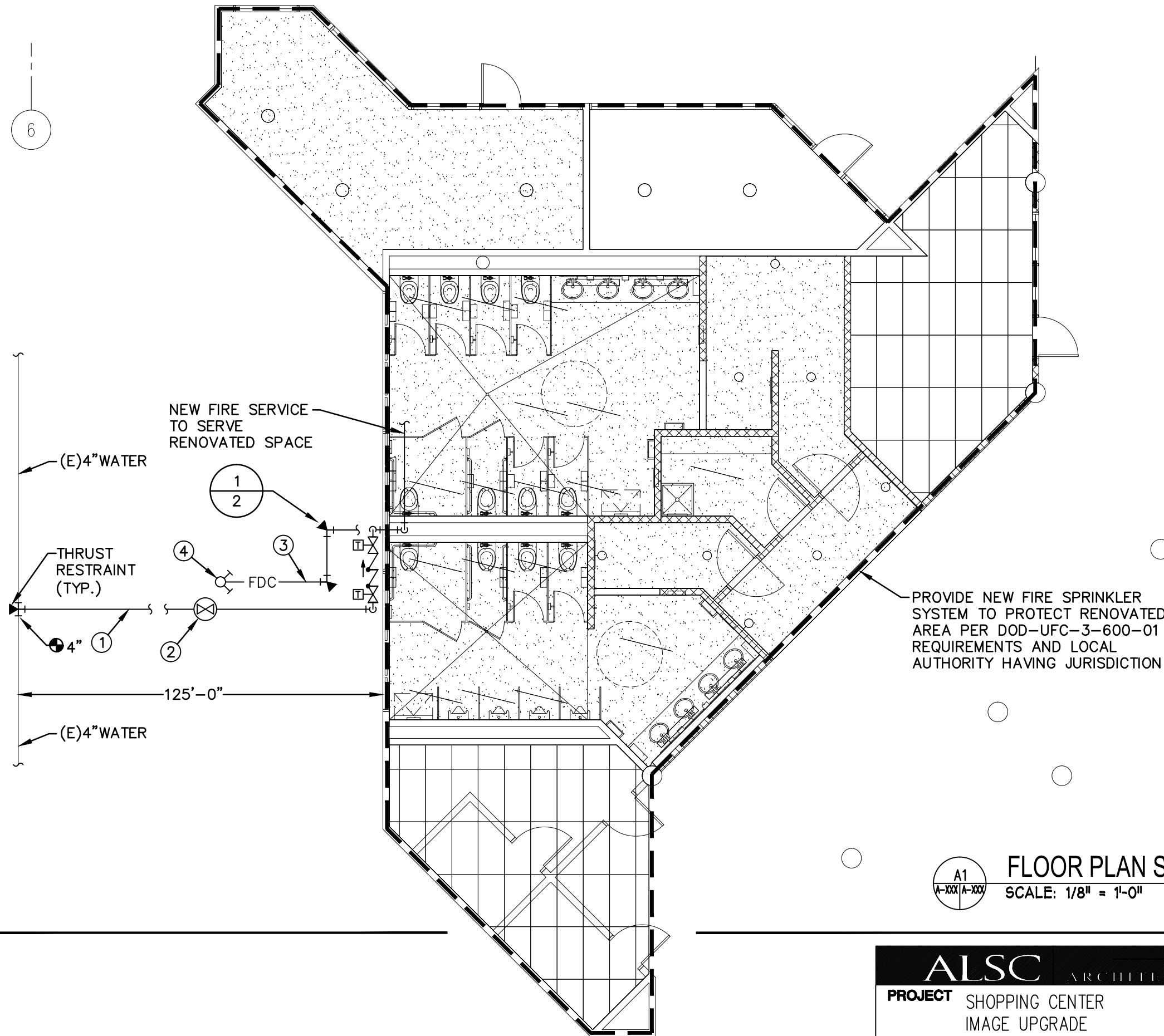
c. If you desire to revise a proposal previously submitted, such revision must be received prior to the hour and date specified for receipt of proposals enclosed in a sealed envelope addressed to the issuing office, with the name and address of the offeror and the solicitation number on the face of the envelope. Telegraphic proposals will not be considered unless authorized by the solicitation; however, proposals may be modified by telegraphic notice provided such notice is received prior to the time set for receipt of proposals. Telegraphic modifications should not reveal the amount of the original or of the revised proposal.

SECTION II

Instructions to Contractor -- Amendment of Contract.

Unless otherwise instructed, all except one copy of this amendment are to be executed by the person authorized to bind the firm contractually and returned to the contracting officer. The effective date will be the date the amendment is signed in block 6 by the contracting officer or the date(s) indicated in block 4, whichever is later.

6



- ### GENERAL NOTES
1. CONTRACTOR SHALL PROVIDE ALL EXCAVATION, BACK FILL AND COMPACTION FOR INSTALLATION OF NEW FIRE EQUIPMENT AND PIPING.
 2. CONTRACTOR SHALL PROVIDE ALL SAW CUTTING AND PATCHING FOR ABOVE WORK.
 3. NEW WORK INDICATED ON THIS DRAWING SHALL BE ALL INCLUSIVE TO CURRENT FIRE PROTECTION AND MECHANICAL SCOPE OF WORK OF THE CURRENT CONSTRUCTION CONTRACT.
 4. COORDINATE LOCATION OF NEW WORK WITH EXISTING PLANTINGS IN AREA OF CONSTRUCTION.

- ### KEY NOTES
- ① PROVIDE NEW 4" FIRE SERVICE.
 - ② NEW POST INDICATOR VALVE, LOCATE WITHIN GRASSED AREA BETWEEN WALK AND PARKING LOT.
 - ③ PROVIDE NEW 4" FDC LINE.
 - ④ NEW FIRE DEPARTMENT CONNECTION, LOCATE WITHIN GRASSED AREA BETWEEN WALK AND PARKING LOT.

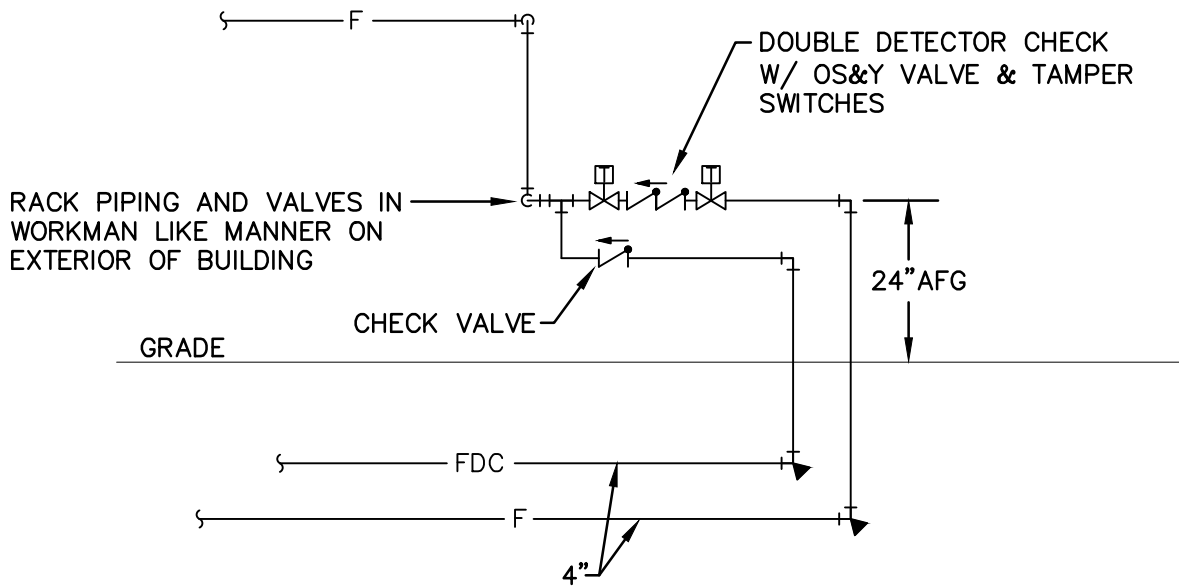
A1
A-XXX/A-XXX

FLOOR PLAN SECTOR 3

SCALE: 1/8" = 1'-0"



ALSC ARCHITECTS	CLARIFICATION # 1						
	PROJECT	SHOPPING CENTER IMAGE UPGRADE HICKAM AFB, HAWAII	DATE	DRAWN	DWG. NO.	JOB NO.	REF. SHT.
		6-10-09	SRB	1	0000	FP-103	
		DESCRIPTION ADDITIONAL FIRE PROTECTION					



1

FIRE HEADER

Scale: NOT TO SCALE

det#: Detail #

ALSC ARCHITECTS		CLARIFICATION # 1			
		PROJECT SHOPPING CENTER IMAGE UPGRADE HICKAM AFB, HAWAII	DATE 6-10-09	DRAWN SRB	DWG. NO. 2
DESCRIPTION ADDITIONAL FIRE PROTECTION					