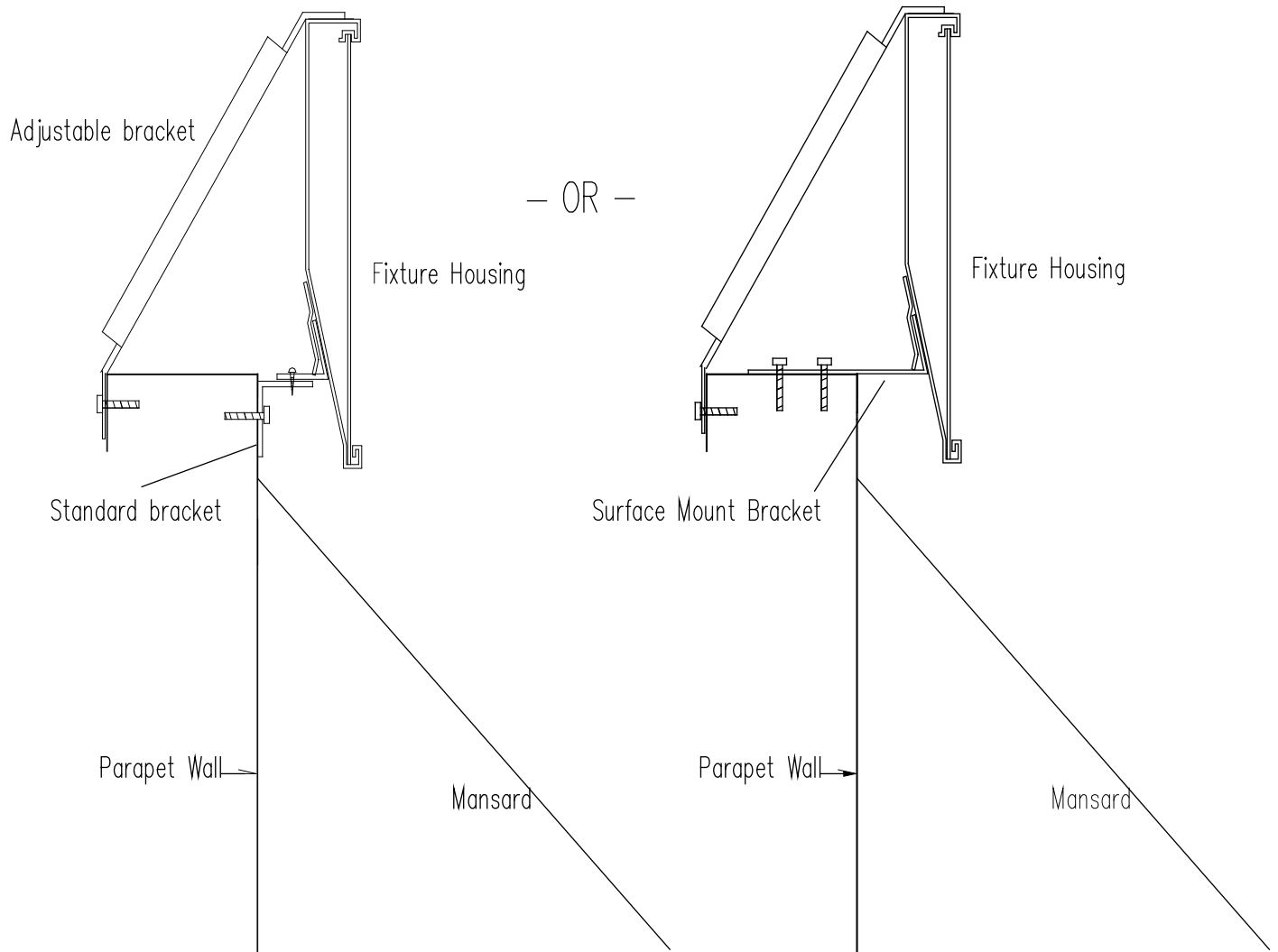


Drawings depict an alternative method when mounting to a short parapet wall



The standard mounting bracket may be inverted so that it is approximately even with the top of the parapet wall cap.

— OR —

A surface mount bracket can be used to extend fixture housing further away to achieve more clearance to Mansard..

**BURGER KING**  
**LED PARAPET SYSTEM**  
**ALTERNATIVE MOUNT DETAIL**  
**03-14-06**

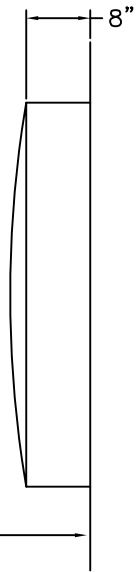
 **LEKTRON**<sup>®</sup>  
**LED LIGHTING TECHNOLOGY**  
 7450 EAST 46TH PLACE, TULSA, OK 74145  
 800.634.4059 toll free – 918.622.4978 office



**NOTE:**  
REFER TO ARCHITECTURAL  
DRAWINGS FOR LOCATION  
AND SIZE OF SIGN.



Elevation



Profile

FACE OF WALL

ROUND WALL SIGN

SCALE: 1/2" = 1'-0"

JULY 30, 1999

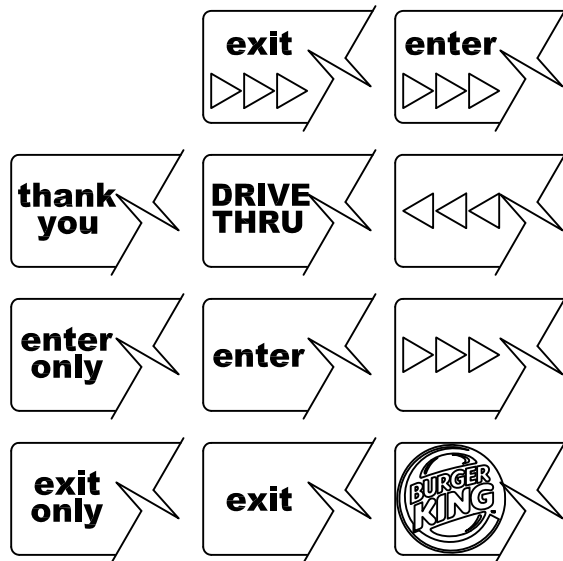
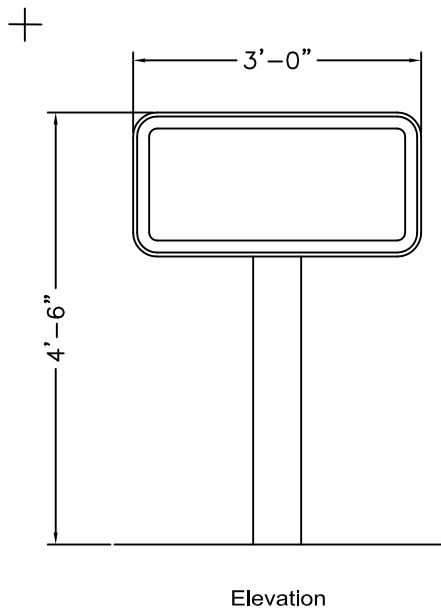


BURGER KING CORPORATION

SCALE 1/2" = 1'-0"  
DATE 7/30/99  
REVISED

ROUND WALL SIGN

1  
OF  
1



**NOTE:**  
SIGN STRUCTURAL FOUNDATION AS REQ'D.  
BY SITE CONDITIONS. DESIGN IS THE  
RESPONSIBILITY OF THE SUBCONTRACTOR.

OPPOSITE HAND SIGN FACES  
ARE ALSO AVAILABLE.

Sign Faces

STANDARD DIRECTIONAL SIGN

SCALE: 1/2" = 1'-0"

JUNE 15, 2000



BURGER KING CORPORATION

SCALE 1/2" = 1'-0"  
DATE 7/15/86  
REVISED 6/15/00

STANDARD DIRECTIONAL SIGN